

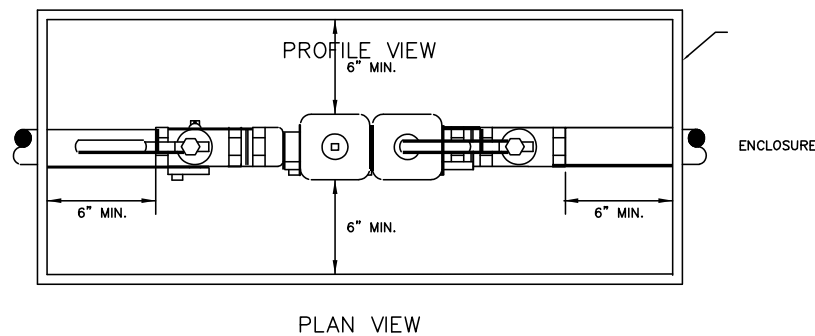
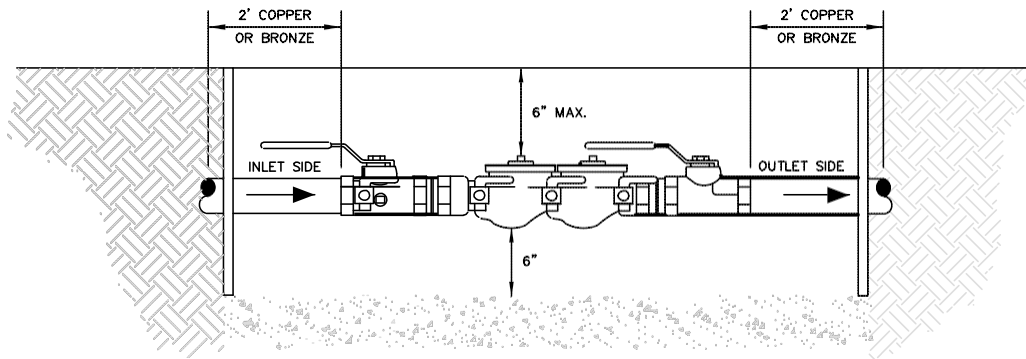
# BACKFLOW PREVENTION ASSEMBLY INSTALLATION GUIDE

## DOUBLE CHECK VALVE ASSEMBLY (DCVA)

### (3/4" – 2") Below Ground Installation

This insert serves as a guidance document for the installation of backflow prevention assemblies within the Charleston Water System (CWS) service area. All installations must be inspected and approved by CWS. Contact CWS within two days of installation to request an inspection.

- Install assembly on customer's side of the water meter prior to any branch, tee or service connection.
- Install assembly in accordance with manufacturer's recommendations.
- Assemblies 3/4" – 2" may be installed below ground or above ground (See Above-Ground Installation). Assemblies larger than 2" must be installed above ground.
- Below-ground installations shall be installed using an acceptable enclosure box with top.
- Installed assembly shall be easily accessible for in-line maintenance and testing.
- Provide minimum 6" clearance on all sides of assembly.
- Provide minimum 2' of copper or bronze piping on inlet and outlet side of assembly.
- Black iron, black steel or galvanized steel pipe shall not be used in the upstream piping.
- Installed assembly shall be rigid and stable. CWS reserves the right to require additional support and restraint.
- For assemblies exposed to vehicular traffic, a traffic-grade enclosure box or protective bollards are recommended.



For questions concerning the installation, placement of your assembly or to request an inspection, contact CWS by phone at 843-727-7148, by fax at 843-579-6852, or by email at [backflow@charlestoncpw.com](mailto:backflow@charlestoncpw.com). For additional information on CWS's Cross-Connection Control Program and a complete list of approved testers, please visit our website at [www.charlestonwater.com](http://www.charlestonwater.com).